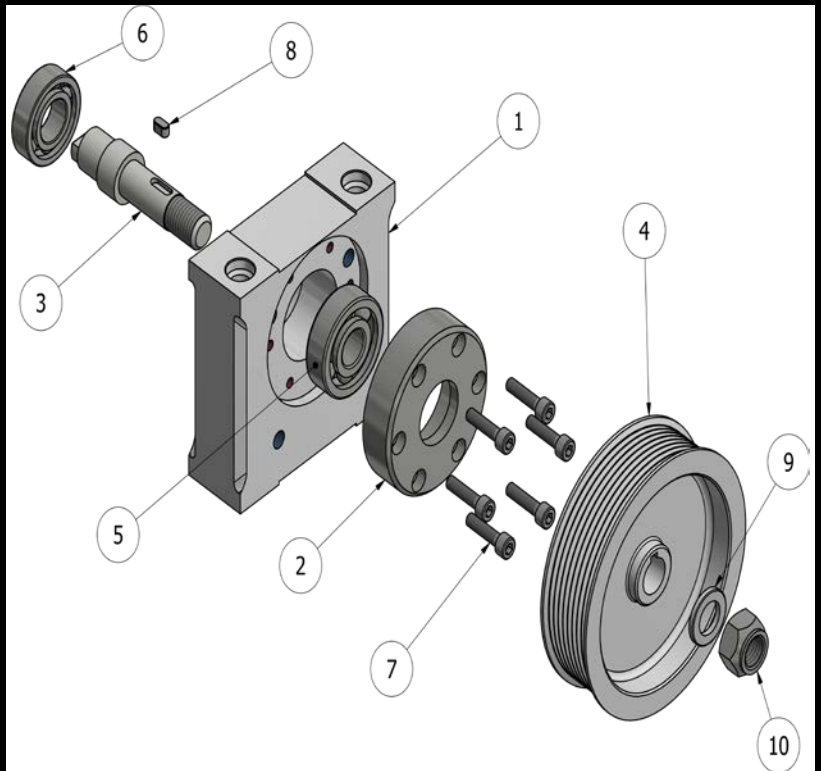


POS	Q	PART NUMBER	DESCRIPTION
1	1	001021 01	BASE
2	1	001021 02	BRACHET
3	1	001021 03	SHAFT
4	1	PULLEY 8V	PULLEY
5	1	SKF6303	BALL BEARING
6	1	SKF6004	BALL BEARING
7	6	UNI 5931 - M 6 x 25	COUNTERSUNK SCREW
8	1	UNI 6604 - A 5 x 5 x 10	KEY
9	1	16x26x3	WASHER
10	1	ANSI B18.16.3M	LOCKNUT



TECHNICAL FEATURES

Static torque	Nm	120
Diameter pulley	mm	118
Type pulley	poliV	8
Type joint	Cross	H12