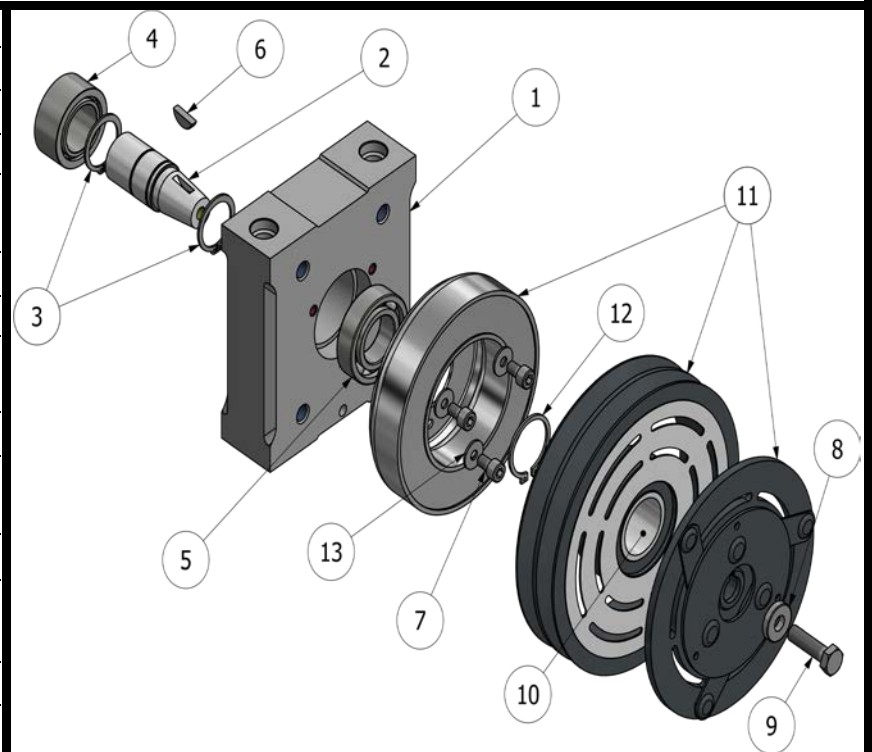


POS	Q	PART NUMBER	DESCRIPTION
1	1	00107201	BASE
2	1	00107202	SHAFT
3	2	External D 25	SEEGER
4	1	SKF NA4905 RS	ROLLER BEARING
5	1	SKF 6005	BEARING SKF
6	1	UNI 6606 4x6,5	DISK KEY
7	3	UNI 5931 - M 6 x 10	SOCKET SCREW
8	1	08x20x04	WASHER
9	1	UNI 5739 - M8 x 30	EXAGONAL SCREW
10	1	30BD40DF2	BEARING NSK
11	1	MA-N05-MUN 151221	OGURA CLUTCH
12	1	External D30	SEEGER
13	3	DIN 9021 - 5,3	WASHER



TECHNICAL FEATURES		
Exciting voltage	Volt	12
Absorbtion	Amp.	3.7
Power consumption	Watt	47
Max speed	Rpm	6000
Static torque	Nm	108
Diameter pulley	mm	152
Type pulley	Vbelt	2
Coupling type	SAE	9T 16/32