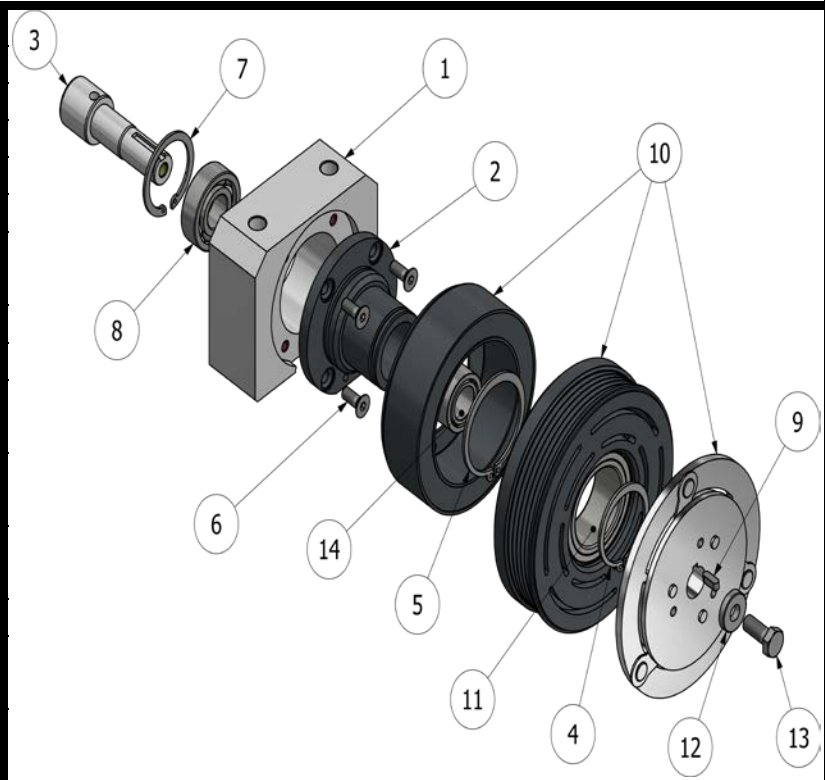


POS	Q	PART NUMBER	DESCRIPTION
1	1	001081-01	BASE
2	1	001081-02	BRACHET
3	1	001081-03	SHAFT
4	1	Diameter 38	SEEGER
5	1	Diameter 48	SEEGER
6	4	UNI 5933 - M6x16	COUNTERSUNK SCREW
7	1	MS 16625 - 1.575	INNER SEEGER
8	1	SKF6203	BALL BEARING
9	1	DIN 6885- A 4x4x12	KEY
10	1	53724700-5	OGURA CLUTCH
11	1	NSK 40BD219DUK	BALL BEARING
12	1	8.5X20X4	WASHER
13	1	UNI 5739 - M8 x 20	EXAGONAL SCREW
14	1	JIS B 1536 SKF - SKF NA 4903.2RS	ROLLER BEARING



TECHNICAL FEATURES		
Exciting voltage	Volt	12
Absorbtion	Amp.	3.7
Power consumption	Watt	47
Max speed	Rpm	6000
Static torque	Nm	60
Diameter pulley	mm	120
Type pulley	poliV	5