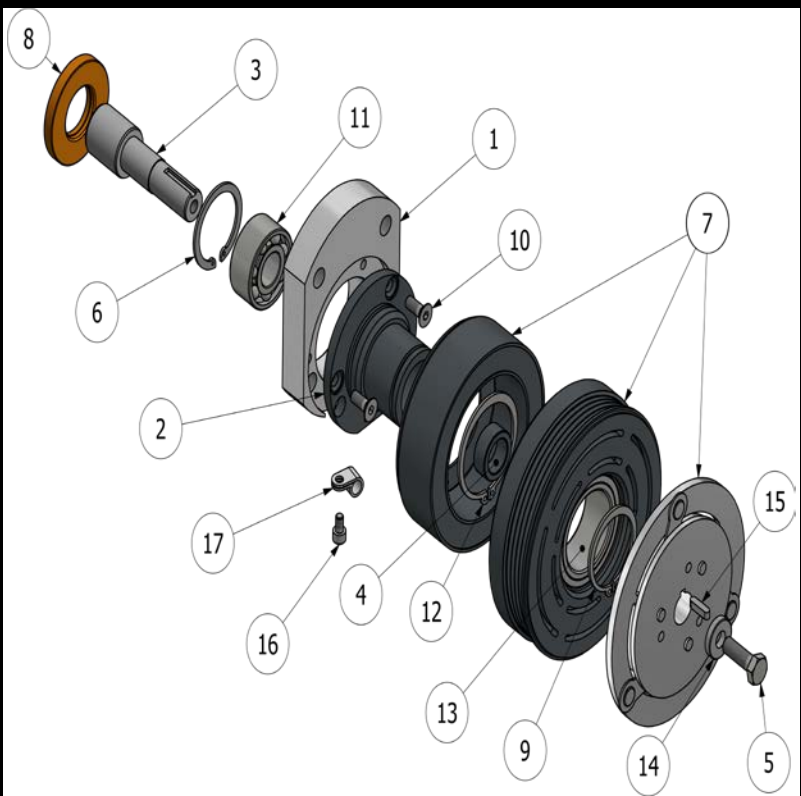


POS	Q	PART NUMBER	DESCRIPTION
1	1	001211-01	BASE
2	1	001211-02	BRACHET
3	1	001211-03	SHAFT
4	1	17.2X25X9.8	SPACER
5	1	UNI 5739 - M8 x 25	EXAGONAL SCREW
6	1	MS 16625 - 1.575	INNER SEEGER
7	1	53724700-4	OGURA CLUTCH
8	1	25X52X7	SEAL
9	1	STN 022930 - 38	SEEGER1
10	3	UNI 5933 - M6 x 16	COUNTERSUNK SCREW
11	1	SKF 2RS13203	BALL BEARING
12	1	STN 022930 - 48	SEEGER2
13	1	NSK 40BD219DUK	BALL BEARING
14	1	8.5X20X4	WASHER
15	1	DIN 6885-A4x4x16	KEY
16	1	ISO 4762 - M5 x 8	SOCKET SCREW
17	1	HOLD LINE BAND	BAND



TECHNICAL FEATURES

Exciting voltage	Volt	12
Absorbtion	Amp.	3.7
Power consumption	Watt	47
Max speed	Rpm	6000
Static torque	Nm	60
Diameter pulley	mm	120
Type pulley	poliV	4