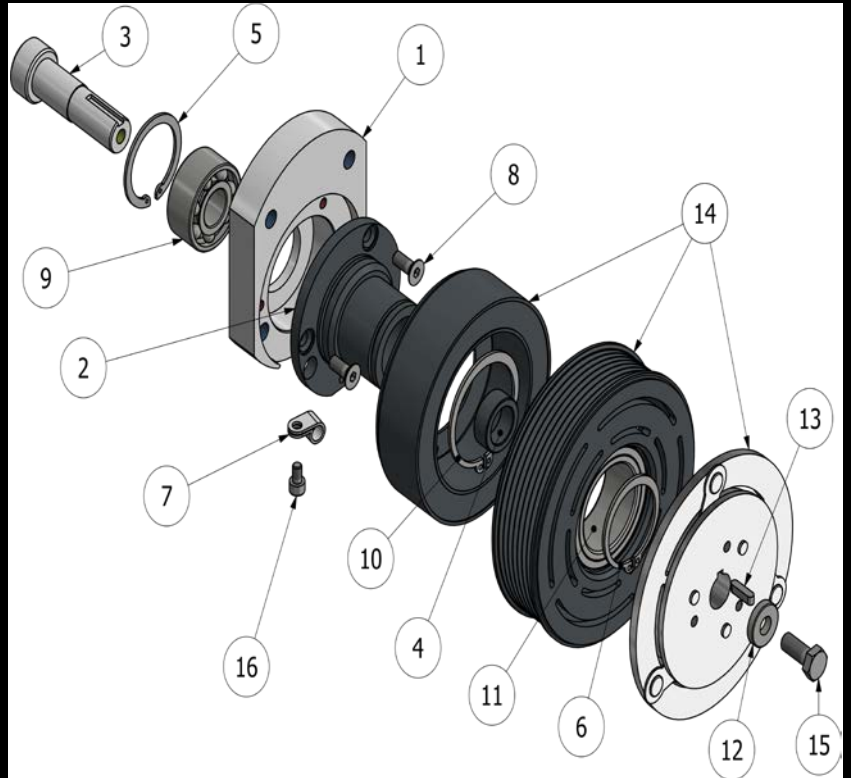


POS	Q	PART NUMBER	DESCRIPTION
1	1	00126101	BASE
2	1	00126102	BRACHET
3	1	00126103	SHAFT
4	1	17.2X25X9.8	SPACER
5	1	EX D 42.5	INNER SEEGER
6	1	EX D. 36	SEEGER
7	1	HOLD LINE	BAND
8	3	UNI 5933 - M6 x 16	COUNTERSUNK SCREW
9	1	SKF A-2RS1	BALL BEARING
10	1	EX D. 45	SEEGER
11	1	NSK 40BD219DUK	BALL BEARING
12	1	8.5X20X4	WASHER
13	1	A 4 x 4 x 16	KEY
14	1	53724700-4	OGURA CLUTCH
15	1	UNI 5739 - M8 x 25	EXAGONAL SCREW
16	1	ISO 4762 - M5 x 8	SOCKET SCREW



TECHNICAL FEATURES

Exciting voltage	Volt	12
Absorbtion	Amp.	3.7
Power consumption	Watt	47
Max speed	Rpm	6000
Static torque	Nm	60
Diameter pulley	mm	120
Type pulley	poliV	7